

MARIETTA HISTORIC BOARD OF REVIEW
CERTIFICATE OF APPROVAL APPLICATION FOR SIGNS & AWNINGS

Date: 4-20-2019 Applicant: Zachary Fox

Business Name: Fox Dogs

Address of Project Location: 154 Roswell St, Marietta, GA 30060

Applicant's mailing address: 2487 Kingswood Dr, Marietta, GA 30066

Applicant's phone number: (770) 883-3359

(Certificates of Approval are granted in accordance with the Marietta Comprehensive Development Code, Article 7-8-8, Historic District of the City of Marietta.)

Certificate of Approval is sought for (brief description): Fox Dogs (Hot Dog Restaurant)

Estimated Completion Date: 5-31-2019

Please provide with your application:

Materials:

- Photos or sketches of existing building (20 copies)
- Sketches of proposed sign or awning (20 copies)
- Paint chips/swatches of proposed color (20 copies)
- Fabric samples of proposed awning (20 copies)

Information/Measurements:

- Dimensions of building face: 11.5 ft. by 14 ft.
- Dimensions of proposed sign or awning: 3'6" ft. by 14 ft.

To be installed:

- Flat on façade
- At right angle
- Other: _____
- Beside door
- Above door/window

- For awnings, canopies, or projecting signs, please indicate the distance between the base and the ground (clearance): 8 ft.

Property Owner's Name Robert Croover

Property Owner's Signature _____

Applicant's Signature: [Signature]

Date: 4-20-2019

*(LWV Properties)
4 20 19*

Return to: **Sandra Lloyd, 205 Lawrence Street, Marietta, 30060 ph: 770-794-5669**
E-mail: slloyd@mariettaga.gov

CERTIFICATE OF APPROVAL
(To be completed by Historic Board)

Action of Historic Board of Review: **APPROVED** **DENIED**

Variance or Stipulation: _____

Chairman: _____

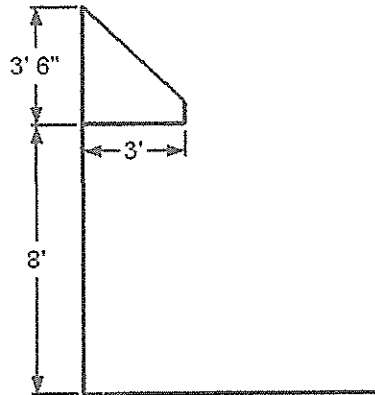
Date Approved: _____

Current

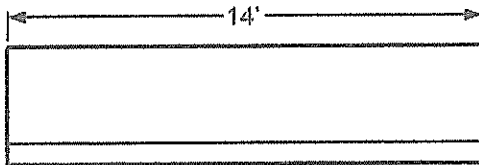


Proposed Changes





SIDE VIEW



FRONT VIEW

FABRIC:
BLACK / SUNBRELLA FIRE RETARDANT